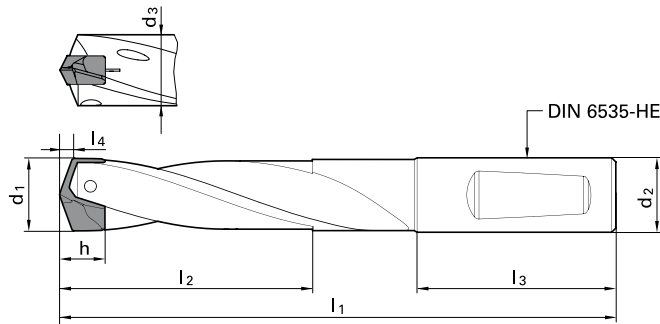




Guhring no.

4110

DRILLS



Code no.	Holder Size	d1	d2	d3	incl. WP l1*	l2 max	l3	AVAILABILITY
		mm	mm	mm	mm	mm	mm	
11.000	110	11.00 - 11.49	12.00	10.70	182.00	117.10	45.00	•
11.005	110	11.00 - 11.49	12.70	10.70	182.00	117.10	45.00	○
11.500	115	11.50 - 11.99	12.00	11.20	187.00	122.10	45.00	•
11.505	115	11.50 - 11.99	12.70	11.20	187.00	122.10	45.00	○
12.000	120	12.00 - 12.49	12.00	11.70	194.00	127.20	45.00	•
12.005	120	12.00 - 12.49	12.70	11.70	194.00	127.20	45.00	○
12.500	125	12.50 - 12.99	14.00	12.20	199.00	132.30	45.00	•
12.505	125	12.50 - 12.99	15.875	12.20	199.00	132.30	45.00	○
13.000	130	13.00 - 13.49	14.00	12.70	205.00	137.50	45.00	•
13.005	130	13.00 - 13.49	15.875	12.70	205.00	137.50	45.00	○
13.500	135	13.50 - 13.99	14.00	13.20	211.00	142.50	45.00	•
13.505	135	13.50 - 13.99	15.875	13.20	211.00	142.50	45.00	○
14.000	140	14.00 - 14.49	14.00	13.70	217.00	147.70	45.00	•
14.005	140	14.00 - 14.49	15.875	13.70	217.00	147.70	45.00	○
14.500	145	14.50 - 14.99	16.00	14.20	225.00	152.80	48.00	○
14.505	145	14.50 - 14.99	15.875	14.20	225.00	152.80	48.00	○
15.000	150	15.00 - 15.49	16.00	14.70	232.00	157.80	48.00	○
15.005	150	15.00 - 15.49	15.875	14.70	232.00	157.80	48.00	○
15.500	155	15.50 - 15.99	16.00	15.20	237.00	162.90	48.00	○
15.505	155	15.50 - 15.99	15.875	15.20	237.00	162.90	48.00	○
16.000	160	16.00 - 16.49	16.00	15.70	243.00	168.00	48.00	○
16.005	160	16.00 - 16.49	15.875	15.70	243.00	168.00	48.00	○
16.500	165	16.50 - 16.99	18.00	16.20	249.00	173.10	48.00	•
16.505	165	16.50 - 16.99	19.05	16.20	249.00	173.10	48.00	○
17.000	170	17.00 - 17.49	18.00	16.70	255.00	178.30	48.00	○
17.005	170	17.00 - 17.49	19.05	16.70	255.00	178.30	48.00	○
17.500	175	17.50 - 17.99	18.00	17.20	260.00	183.50	48.00	○
17.505	175	17.50 - 17.99	19.05	17.20	260.00	183.50	48.00	○
18.000	180	18.00 - 18.49	18.00	17.70	267.00	188.40	48.00	○
18.005	180	18.00 - 18.49	19.05	17.70	267.00	188.40	48.00	○
18.500	185	18.50 - 18.99	20.00	18.20	274.00	193.50	50.00	○
18.505	185	18.50 - 18.99	19.05	18.20	274.00	193.50	50.00	○
19.000	190	19.00 - 19.49	20.00	18.70	280.00	198.70	50.00	○
19.005	190	19.00 - 19.49	19.05	18.70	280.00	198.70	50.00	○
19.500	195	19.50 - 19.99	20.00	19.20	286.00	203.70	50.00	○
19.505	195	19.50 - 19.99	19.05	19.20	286.00	203.70	50.00	○
20.000	200	20.00 - 20.49	20.00	19.70	292.00	208.90	50.00	○
20.005	200	20.00 - 20.49	19.05	19.70	292.00	208.90	50.00	○
20.500	205	20.50 - 20.99	25.00	20.20	306.00	214.00	56.00	○

• Australian stock item ○ German stock item

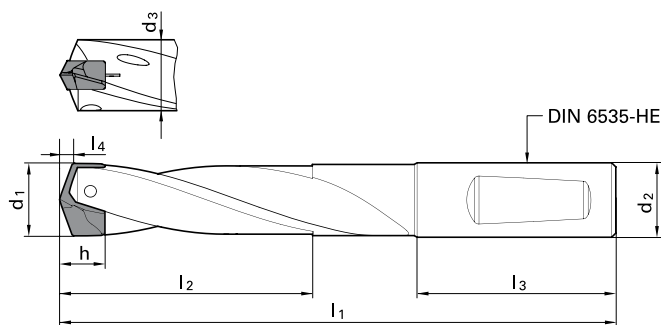


TOOL HOLDERS FOR INTERCHANGEABLE INSERTS HT 800, 10 X D

DRILLS

Guhring no.

4110



Code no.	Holder Size	d1	d2	d3	incl. WP l1*	l2 max	l3	AVAILABILITY
		mm	mm	mm	mm	mm	mm	
20.505	205	20.50 - 20.99	25.40	20.20	306.00	214.00	56.00	○
21.000	210	21.00 - 21.49	25.00	20.70	312.00	219.10	56.00	○
21.005	210	21.00 - 21.49	25.40	20.70	312.00	219.10	56.00	○
21.500	215	21.50 - 21.99	25.00	21.20	317.00	224.20	56.00	○
21.505	215	21.50 - 21.99	25.40	21.20	317.00	224.20	56.00	○
22.000	220	22.00 - 22.49	25.00	21.70	323.00	229.30	56.00	○
22.005	220	22.00 - 22.49	25.40	21.70	323.00	229.30	56.00	○
22.500	225	22.50 - 22.99	25.00	22.20	329.00	234.40	56.00	○
23.000	230	23.00 - 23.49	25.00	22.70	335.00	239.50	56.00	○
23.500	235	23.50 - 23.99	25.00	23.20	341.00	244.60	56.00	○
24.000	240	24.00 - 24.49	25.00	23.70	347.00	249.70	56.00	○
24.500	245	24.50 - 24.99	25.00	24.20	352.00	254.80	56.00	○
25.000	250	25.00 - 25.49	25.00	24.70	359.00	259.90	56.00	○
25.500	255	25.50 - 25.99	32.00	25.20	369.00	265.00	60.00	○
26.000	260	26.00 - 26.49	32.00	25.70	377.00	270.00	60.00	●
26.500	265	26.50 - 26.99	32.00	26.20	382.00	275.00	60.00	○
27.000	270	27.00 - 27.49	32.00	26.70	388.00	280.10	60.00	●
27.500	275	27.50 - 27.99	32.00	27.20	394.00	285.20	60.00	○
28.000	280	28.00 - 28.49	32.00	27.70	400.00	290.30	60.00	○
28.500	285	28.50 - 28.99	32.00	28.20	405.00	295.40	60.00	○
29.000	290	29.00 - 29.49	32.00	28.70	412.00	300.50	60.00	●
29.500	295	29.50 - 29.99	32.00	29.20	418.00	305.60	60.00	○
30.000	300	30.00 - 30.49	32.00	29.70	424.00	310.60	60.00	●
30.500	305	30.50 - 30.99	32.00	30.20	429.00	315.70	60.00	○
31.000	310	31.00 - 31.49	32.00	30.70	435.00	320.80	60.00	●
31.500	315	31.50 - 31.99	32.00	31.20	441.00	325.90	60.00	○

● Australian stock item ○ German stock item