

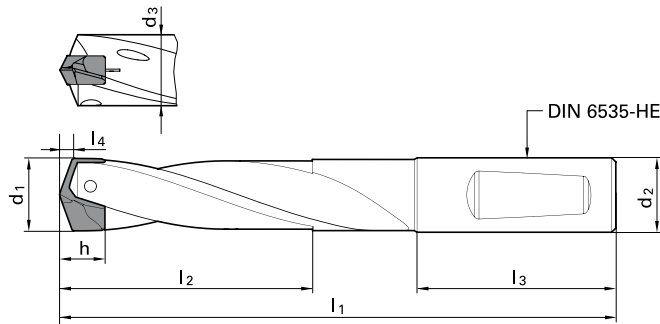


TOOL HOLDERS FOR INTERCHANGEABLE INSERTS HT 800, 7 X D

DRILLS

Guhring no.

4109



Code no.	Holder Size	d1	d2	d3	incl. WP l1*	l2 max	l3	AVAILABILITY
		mm	mm	mm	mm	mm	mm	
11,000	110	11.00 - 11.49	12.00	10.70	147.00	82.60	45.00	•
11,005	110	11.00 - 11.49	12.70	10.70	147.00	82.60	45.00	○
11,500	115	11.50 - 11.99	12.00	11.20	151.00	86.10	45.00	•
11,505	115	11.50 - 11.99	12.70	11.20	151.00	86.10	45.00	○
12,000	120	12.00 - 12.49	12.00	11.70	156.00	89.70	45.00	•
12,005	120	12.00 - 12.49	12.70	11.70	156.00	89.70	45.00	○
12,500	125	12.50 - 12.99	14.00	12.20	160.00	93.30	45.00	•
12,505	125	12.50 - 12.99	15.875	12.20	160.00	93.30	45.00	○
13,000	130	13.00 - 13.49	14.00	12.70	164.00	96.90	45.00	•
13,005	130	13.00 - 13.49	15.875	12.70	164.00	96.90	45.00	○
13,500	135	13.50 - 13.99	14.00	1.20	169.00	100.60	45.00	•
13,505	135	13.50 - 13.99	15.875	13.20	169.00	100.60	45.00	○
14,000	140	14.00 - 14.49	14.00	13.70	173.00	104.20	45.00	•
14,005	140	14.00 - 14.49	15.875	13.70	173.00	104.20	45.00	○
14,500	145	14.50 - 14.99	16.00	14.20	180.00	107.80	48.00	•
14,505	145	14.50 - 14.99	15.875	14.20	180.00	107.80	48.00	○
15,000	150	15.00 - 15.49	16.00	14.70	185.00	111.30	48.00	•
15,005	150	15.00 - 15.49	15.875	14.70	185.00	111.30	48.00	○
15,500	155	15.50 - 15.99	16.00	15.20	189.00	114.90	48.00	•
15,505	155	15.50 - 15.99	15.875	15.20	189.00	114.90	48.00	○
16,000	160	16.00 - 16.49	16.00	15.70	193.00	118.90	48.00	•
16,005	160	16.00 - 16.49	15.875	15.70	193.00	118.90	48.00	○
16,500	165	16.50 - 16.99	18.00	16.20	198.00	122.10	48.00	•
16,505	165	16.50 - 16.99	19.05	16.20	198.00	122.10	48.00	○
17,000	170	17.00 - 17.49	18.00	16.70	202.00	125.80	48.00	•
17,005	170	17.00 - 17.49	19.05	16.70	202.00	125.80	48.00	○
17,500	175	17.50 - 17.99	18.00	17.20	206.00	129.40	48.00	•
17,505	175	17.50 - 17.99	19.05	17.20	206.00	129.40	48.00	○
18,000	180	18.00 - 18.49	18.00	17.70	211.00	132.90	48.00	•
18,005	180	18.00 - 18.49	19.05	17.70	211.00	132.90	48.00	○
18,500	185	18.50 - 18.99	20.00	18.20	217.00	136.50	50.00	•
18,505	185	18.50 - 18.99	19.05	18.20	217.00	136.50	50.00	○
19,000	190	19.00 - 19.49	20.00	18.70	221.00	140.10	50.00	•
19,005	190	19.00 - 19.49	19.05	18.70	222.00	140.10	50.00	○
19,500	195	19.50 - 19.99	20.00	19.20	226.00	143.70	50.00	•
19,505	195	19.50 - 19.99	19.05	19.20	226.00	143.70	50.00	○
20,000	200	20.00 - 20.49	20.00	19.70	230.00	147.30	50.00	•
20,005	200	20.00 - 20.49	19.05	19.70	230.00	147.30	50.00	○
20,500	205	20.50 - 20.99	25.00	20.20	243.00	151.00	56.00	•

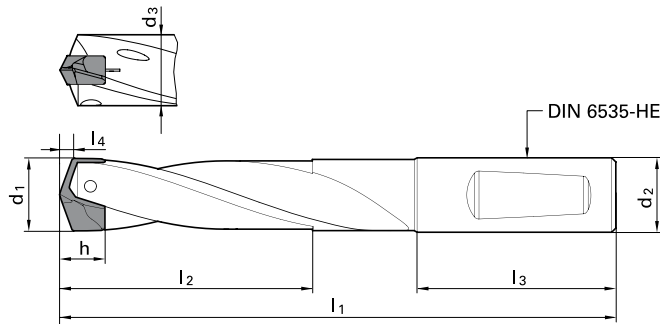
• Australian stock item ○ German stock item



Guhring no.

4109

DRILLS



Code no.	Holder Size	d1	d2	d3	incl. WP l1*	l2 max	l3	AVAILABILITY
		mm	mm	mm	mm	mm	mm	
20,505	205	20.50 - 20.99	25.40	20.20	243.00	151.00	56.00	○
21,000	210	21.00 - 21.49	25.00	20.70	247.00	154.60	56.00	●
21,005	210	21.00 - 21.49	25.40	20.70	247.00	154.60	56.00	○
21,500	215	21.50 - 21.99	25.00	21.20	251.00	158.10	56.00	●
21,505	215	21.50 - 21.99	25.40	21.20	251.00	158.10	56.00	○
22,000	220	22.00 - 22.49	25.00	21.70	255.00	161.70	56.00	●
22,005	220	22.00 - 22.49	25.40	21.70	255.00	161.70	56.00	○
22,500	225	22.50 - 22.99	25.00	22.20	260.00	165.30	56.00	●
22,505	225	22.50 - 22.99	25.40	22.20	260.00	165.30	56.00	○
23,000	230	23.00 - 23.49	25.00	22.70	264.00	168.90	56.00	●
23,005	230	23.00 - 23.49	25.40	22.70	264.00	168.90	56.00	○
23,500	235	23.50 - 23.99	25.00	23.20	269.00	172.50	56.00	●
23,505	235	23.50 - 23.99	25.40	23.20	269.00	172.50	56.00	○
24,000	240	24.00 - 24.49	25.00	23.70	273.00	176.10	56.00	●
24,005	240	24.00 - 24.49	25.40	23.70	273.00	176.10	56.00	○
24,500	245	24.50 - 24.99	25.00	24.20	277.00	179.70	56.00	●
24,505	245	24.50 - 24.99	25.40	24.20	277.00	179.70	56.00	○
25,000	250	25.00 - 25.49	25.00	24.70	282.00	183.30	56.00	●
25,005	250	25.00 - 25.49	25.40	24.70	282.00	183.30	56.00	○
25,500	255	25.50 - 25.99	32.00	25.20	291.00	186.90	60.00	○
25,505	255	25.50 - 25.99	31.75	25.20	291.00	186.90	60.00	○
26,000	260	26.00 - 26.49	32.00	25.70	297.00	190.00	60.00	●
26,005	260	26.00 - 26.49	31.75	25.70	297.00	190.00	60.00	○
26,500	265	26.50 - 26.99	32.00	26.20	301.00	194.00	60.00	○
26,505	265	26.50 - 26.99	31.75	26.20	301.00	194.00	60.00	○
27,000	270	27.00 - 27.49	32.00	26.70	306.00	197.20	60.00	●
27,005	270	27.00 - 27.49	31.75	26.70	306.00	197.20	60.00	○
27,500	275	27.50 - 27.99	32.00	27.20	310.00	200.80	60.00	○
27,505	275	27.50 - 27.99	31.75	27.20	310.00	200.80	60.00	○
28,000	280	28.00 - 28.49	32.00	27.70	314.00	204.40	60.00	●
28,005	280	28.00 - 28.49	31.75	27.70	314.00	204.40	60.00	○
28,500	285	28.50 - 28.99	32.00	28.20	318.00	208.40	60.00	○
28,505	285	28.50 - 28.99	31.75	28.20	318.00	208.40	60.00	○
29,000	290	29.00 - 29.49	32.00	28.70	323.00	212.50	60.00	●
29,005	290	29.00 - 29.49	31.75	28.70	323.00	212.50	60.00	○
29,500	295	29.50 - 29.99	32.00	29.20	327.00	215.10	60.00	○
29,505	295	29.50 - 29.99	31.75	29.20	327.00	215.10	60.00	○
30,000	300	30.00 - 30.49	32.00	29.70	332.00	218.60	60.00	●
30,005	300	30.00 - 30.49	31.75	29.70	332.00	218.60	60.00	○

● Australian stock item ○ German stock item

