

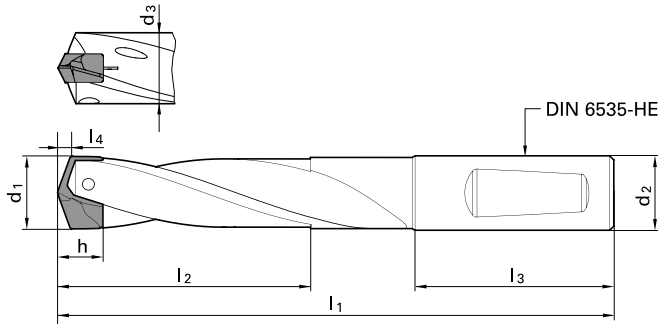


TOOL HOLDERS FOR INTERCHANGEABLE INSERTS HT 800, 3 X D

DRILLS

Guhring no.

4107



Code no.	Holder Size	d1	d2	d3	incl. WP l1*	l2 max	l3	AVAILABILITY
		mm	mm	mm	mm	mm	mm	
11,000	110	11.00 - 11.49	12.00	10.70	101.00	36.60	45.00	•
11,005	110	11.00 - 11.49	12.70	10.70	101.00	36.60	45.00	○
11,500	115	11.50 - 11.99	12.00	11.20	103.00	38.10	45.00	•
11,505	115	11.50 - 11.99	12.70	11.20	103.00	38.10	45.00	○
12,000	120	12.00 - 12.49	12.00	11.70	106.00	39.70	45.00	•
12,005	120	12.00 - 12.49	12.70	11.70	106.00	39.70	45.00	○
12,500	125	12.50 - 12.99	14.00	12.20	108.00	41.30	45.00	•
12,505	125	12.50 - 12.99	15.875	12.20	108.00	41.30	45.00	○
13,000	130	13.00 - 13.49	14.00	12.70	110.00	42.90	45.00	•
13,005	130	13.00 - 13.49	15.875	12.70	110.00	42.90	45.00	○
13,500	135	13.50 - 13.99	14.00	13.20	113.00	44.60	45.00	•
13,505	135	13.50 - 13.99	15.875	13.20	113.00	44.60	45.00	○
14,000	140	14.00 - 14.49	14.00	13.70	115.00	46.20	45.00	•
14,005	140	14.00 - 14.49	15.875	13.70	115.00	46.20	48.00	○
14,500	145	14.50 - 14.99	16.00	14.20	120.00	47.80	48.00	•
14,505	145	14.50 - 14.99	15.875	14.20	120.00	47.80	48.00	○
15,000	150	15.00 - 15.49	16.00	14.70	123.00	49.30	48.00	•
15,005	150	15.00 - 15.49	15.875	14.70	123.00	49.30	48.00	○
15,500	155	15.50 - 15.99	16.00	15.20	125.00	50.90	48.00	•
15,505	155	15.50 - 15.99	15.875	15.20	125.00	50.90	48.00	○
16,000	160	16.00 - 16.49	16.00	15.70	127.00	52.90	48.00	•
16,005	160	16.00 - 16.49	15.875	15.70	127.00	52.90	48.00	○
16,500	165	16.50 - 16.99	18.00	16.20	130.00	54.10	48.00	•
16,505	165	16.50 - 16.99	19.05	16.20	130.00	54.10	48.00	○
17,000	170	17.00 - 17.49	18.00	16.70	132.00	55.80	48.00	•
17,005	170	17.00 - 17.49	19.05	16.70	132.00	55.80	48.00	○
17,500	175	17.50 - 17.99	18.00	17.20	134.00	57.40	48.00	•
17,505	175	17.50 - 17.99	19.05	17.20	134.00	57.40	48.00	○
18,000	180	18.00 - 18.49	18.00	17.70	137.00	58.90	48.00	•
18,005	180	18.00 - 18.49	19.05	17.70	137.00	58.90	48.00	○
18,500	185	18.50 - 18.99	20.00	18.20	141.00	60.50	50.00	•
18,505	185	18.50 - 18.99	19.05	18.20	141.00	60.50	50.00	○
19,000	190	19.00 - 19.49	20.00	18.70	143.00	62.10	50.00	•
19,005	190	19.00 - 19.49	19.05	18.70	143.00	62.10	50.00	○
19,500	195	19.50 - 19.99	20.00	19.20	146.00	63.70	50.00	•
19,505	195	19.50 - 19.99	19.05	19.20	146.00	63.70	50.00	○
20,000	200	20.00 - 20.49	20.00	19.70	148.00	65.30	50.00	•
20,005	200	20.00 - 20.49	19.05	19.70	148.00	65.30	50.00	○
20,500	205	20.50 - 20.99	25.00	20.20	159.00	67.00	56.00	•

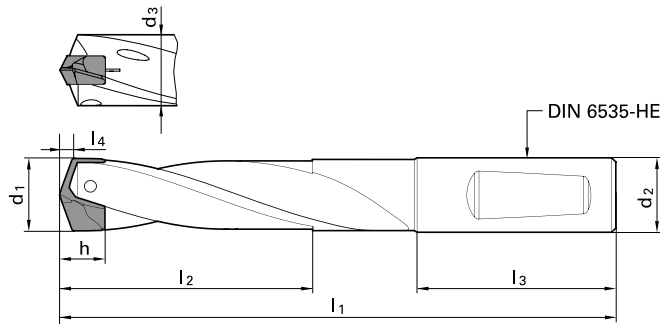
• Australian stock item ○ German stock item



Guhring no.

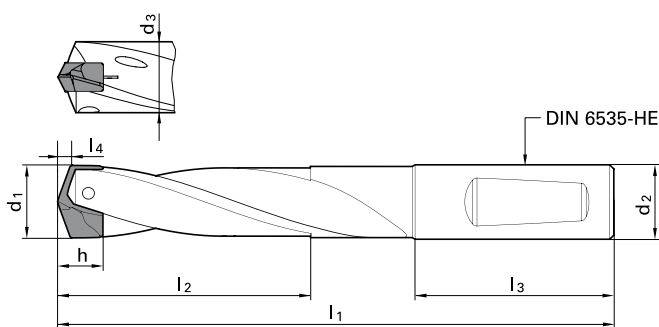
4107

DRILLS



Code no.	Holder Size	d1	d2	d3	incl. WP l1*	l2 max	l3	AVAILABILITY
		mm	mm	mm	mm	mm	mm	
20,505	205	20.50 - 20.99	25.40	20.20	159.00	67.00	56.00	○
21,000	210	21.00 - 21.49	25.00	20.70	161.00	68.60	56.00	●
21,005	210	21.00 - 21.49	25.40	20.70	161.00	68.60	56.00	○
21,500	215	21.50 - 21.99	25.00	21.20	163.00	70.10	56.00	●
21,505	215	21.50 - 21.99	25.40	21.20	163.00	70.10	56.00	○
22,000	220	22.00 - 22.49	25.00	21.70	165.00	71.70	56.00	●
22,005	220	22.00 - 22.49	25.40	21.70	165.00	71.70	56.00	○
22,500	225	22.50 - 22.99	25.00	22.20	168.00	73.30	56.00	●
22,505	225	22.50 - 22.99	25.40	22.20	168.00	73.30	56.00	○
23,000	230	23.00 - 23.49	25.00	22.70	170.00	74.9	56.00	●
23,005	230	23.00 - 23.49	25.40	22.70	170.00	74.90	56.00	○
23,500	235	23.50 - 23.99	25.00	23.20	173.00	76.50	56.00	●
23,505	235	23.50 - 23.99	25.40	23.20	173.00	76.50	56.00	○
24,000	240	24.00 - 24.49	25.00	23.70	175.00	78.10	56.00	●
24,005	240	24.00 - 24.49	25.40	23.70	175.00	78.10	56.00	○
24,500	245	24.50 - 24.99	25.00	24.20	177.00	79.70	56.00	●
24,505	245	24.50 - 24.99	25.40	24.20	177.00	79.70	56.00	○
25,000	250	25.00 - 25.49	25.00	24.70	180.00	81.30	56.00	●
25,005	250	25.00 - 25.49	25.40	24.70	180.00	81.30	56.00	○
25,500	255	25.50 - 25.99	32.00	25.20	187.00	82.9	60.00	○
25,505	255	25.50 - 25.99	31.75	25.20	187.00	82.90	60.00	○
26,000	260	26.00 - 26.49	32.00	25.70	191.00	84.00	60.00	●
26,005	260	26.00 - 26.49	31.75	25.70	191.00	84.00	60.00	○
26,500	265	26.50 - 26.99	32.00	26.20	193.00	86.10	60.00	○
26,505	265	26.50 - 26.99	31.75	26.20	193.00	86.10	60.00	○
27,000	270	27.00 - 27.49	32.00	26.70	196.00	87.20	60.00	●
27,005	270	27.00 - 27.49	31.75	26.70	196.00	87.20	60.00	○
27,500	275	27.50 - 27.99	32.00	27.20	198.00	88.90	60.00	○
27,505	275	27.50 - 27.99	31.75	27.20	198.00	88.90	60.00	○
28,000	280	28.00 - 28.49	32.00	27.70	200.00	90.40	60.00	●
28,005	280	28.00 - 28.49	31.75	27.70	200.00	90.40	60.00	○
28,500	285	28.50 - 28.99	32.00	28.20	202.00	92.50	60.00	○
28,505	285	28.50 - 28.99	31.75	28.20	202.00	92.50	60.00	○
29,000	290	29.00 - 29.49	32.00	28.70	205.00	94.60	60.00	●
29,005	290	29.00 - 29.49	31.75	28.70	205.00	94.60	60.00	○
29,500	295	29.50 - 29.99	32.00	29.20	207.00	95.10	60.00	○
29,505	295	29.50 - 29.99	31.75	29.20	207.00	95.10	60.00	○
30,000	300	30.00 - 30.49	32.00	29.70	210.00	96.70	60.00	●
30,005	300	30.00 - 30.49	31.75	29.70	210.00	96.70	60.00	○

● Australian stock item ○ German stock item



Code no.	Holder Size	d1	d2	d3	incl. WP l1*	l2 max	l3	AVAILABILITY
		mm	mm	mm	mm	mm	mm	
30,500	305	30.50 - 30.99	32.00	30.20	212.00	98.30	60.00	○
30,505	305	30.50 - 30.99	31.75	30.20	212.00	98.30	60.00	○
31,000	310	31.00 - 31.49	32.00	30.70	214.00	99.80	60.00	●
31,005	310	31.00 - 31.49	31.75	30.70	214.00	99.80	60.00	○
31,500	315	31.50 - 31.99	32.00	31.20	216.00	101.40	60.00	○
31,505	315	31.50 - 31.99	31.75	31.20	216.00	101.40	60.00	○
32,000	320	32.00 - 32.99	32.00	31.70	221.00	104.60	60.00	●
32,005	320	32.00 - 32.99	31.75	31.70	221.00	104.60	60.00	○
33,000	330	33.00 - 33.99	32.00	32.70	226.00	107.80	60.00	●
33,005	330	33.00 - 33.99	31.75	32.70	226.00	107.80	60.00	○
34,000	340	34.00 - 34.99	32.00	33.70	230.00	111.00	60.00	○
34,005	340	34.00 - 34.99	31.75	33.70	230.00	111.00	60.00	○
35,000	350	35.00 - 35.99	32.00	34.70	235.00	114.20	60.00	○
35,005	350	35.00 - 35.99	31.75	34.70	235.00	114.20	60.00	○
36,000	360	36.00 - 36.99	32.00	35.70	240.00	117.30	60.00	○
36,005	360	36.00 - 36.99	31.75	35.70	240.00	117.30	60.00	○
37,000	370	37.00 - 37.99	32.00	36.70	245.00	120.50	60.00	○
37,005	370	37.00 - 37.99	31.75	36.70	245.00	120.50	60.00	○
38,000	380	38.00 - 38.99	32.00	37.70	249.00	123.70	60.00	○
38,005	380	38.00 - 38.99	31.75	37.70	249.00	123.70	60.00	○
39,000	390	39.00 - 40.00	32.00	38.70	254.00	126.90	60.00	○
39,005	390	39.00 - 40.00	31.75	38.70	254.00	126.90	60.00	○

● Australian stock item ○ German stock item